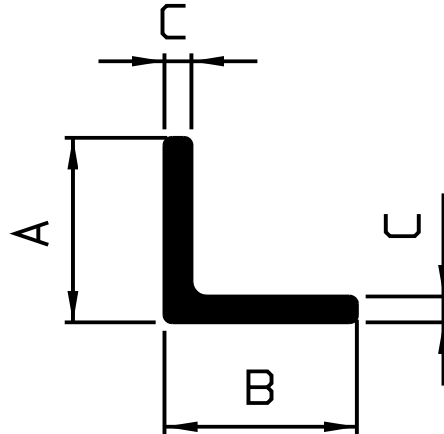
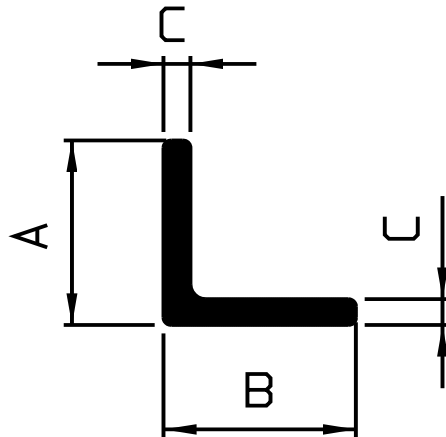


EQUAL LEG ANGLES



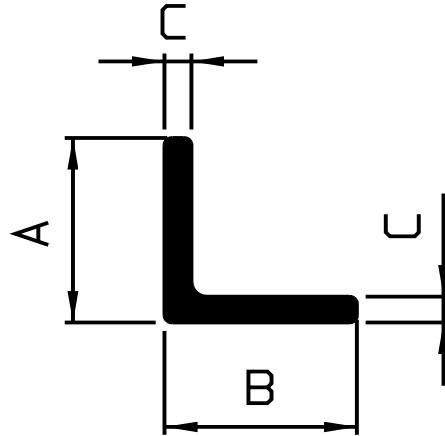
Dimension / Dimensione (mm)	Weight / Peso (kg/m)
15 x 15 x 3	0.65
30 x 30 x 3	1.35
40 x 40 x 4	2.40
45 x 45 x 4	2.75
45 x 45 x 6	4.00
45 x 45 x 8	5.20
50 x 50 x 5	3.80
50 x 50 x 7	5.10
55 x 55 x 6	5.00
60 x 60 x 5	4.60
60 x 60 x 6	5.50
60 x 60 x 7	6.25
60 x 60 x 8	7.05
60 x 60 x 10	8.70
65 x 65 x 5	5.05
65 x 65 x 7	6.85
65 x 65 x 9	8.70
70 x 70 x 6	6.40
70 x 70 x 10	10.3
80 x 80 x 6	7.35
80 x 80 x 10	11.80
90 x 90 x 6	8.30

EQUAL LEG ANGLES



Dimension / Dimensione (mm)	Weight / Peso (kg/m)
90 x 90 x 7	9.65
90 x 90 x 8	10.90
100 x 100 x 6	9.30
100 x 100 x 7	10.80
100 x 100 x 8	12.20
120 x 120 x 6	11.20
120 x 120 x 8	14.80
120 x 120 x 10	18.10
120 x 120 x 12	21.90
120 x 120 x 13	23.60
130 x 130 x 6	12.20
130 x 130 x 8	16.10
130 x 130 x 10	20.00
130 x 130 x 12	23.80
130 x 130 x 13	25.70
140 x 140 x 6	13.00
140 x 140 x 8	17.20
140 x 140 x 10	21.30
140 x 140 x 12	25.40
150 x 150 x 6	13.90
150 x 150 x 8	18.70
150 x 150 x 10	22.90

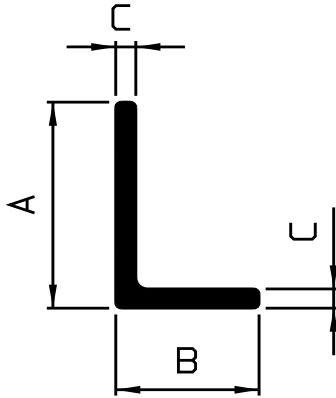
EQUAL LEG ANGLES



Dimension / Dimensione (mm)	Weight / Peso (kg/m)
160 x 160 x 6	14.90
160 x 160 x 8	19.70
160 x 160 x 10	24.50
160 x 160 x 12	28.80
160 x 160 x 13	32.00
180 x 180 x 6	17.00
180 x 180 x 8	22.50
180 x 180 x 10	28.00
180 x 180 x 12	33.40
180 x 180 x 13	36.10
200 x 200 x 6	18.90
200 x 200 x 8	25.10
200 x 200 x 10	31.20
200 x 200 x 12	37.20
200 x 200 x 13	40.20

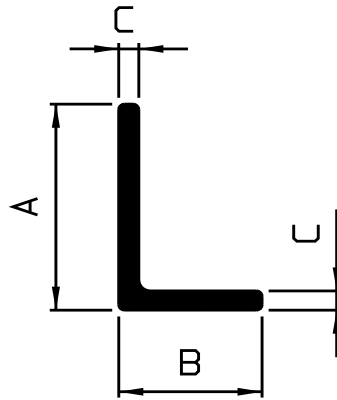
Note: Other sizes upon request can be supplied up to 400 mm

UNEQUAL LEG ANGLES / ANGOLARI



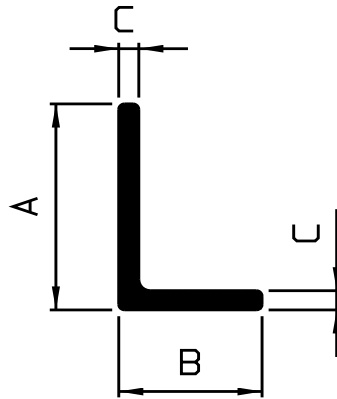
Dimension / Dimensione (mm)	Weight / Peso (kg/m)
20 x 10 x 3	0.70
25 x 15 x 3	0.90
30 x 15 x 3	01:00
30 x 20 x 3	1.20
30 x 20 x 4	1.50
40 x 20 x 3	1.40
40 x 20 x 4	1.80
40 x 25 x 4	2.00
40 x 30 x 4	2.10
40 x 30 x 5	2.60
45 x 30 x 5	2.80
50 x 20 x 4	2.10
50 x 25 x 3	1.75
50 x 25 x 4	2.30
50 x 25 x 5	2.80
50 x 30 x 3	1.85
50 x 30 x 4	2.45
50 x 30 x 5	3.10
50 x 40 x 5	3.40
55 x 40 x 5	3.60
55 x 45 x 6	4.30
60 x 30 x 4	2.80

UNEQUAL LEG ANGLES / ANGOLARI



Dimension / Dimensione (mm)	Weight / Peso (kg/m)
60 x 30 x 5	3.40
60 x 30 x 6	4.10
60 x 30 x 7	4.70
60 x 40 x 5	3.80
60 x 40 x 6	4.60
60 x 40 x 8	5.90
65 x 50 x 5	4.40
65 x 50 x 7	6.10
65 x 50 x 9	7.60
70 x 50 x 5	4.60
70 x 50 x 6	5.50
75 x 50 x 7	6.70
75 x 55 x 9	8.70
80 x 40 x 5	4.60
80 x 40 x 6	5.50
80 x 40 x 8	7.10
80 x 50 x 5	5.00
80 x 65 x 6	6.60
80 x 65 x 8	8.70
80 x 65 x 10	10.80
90 x 50 x 5	5.40
90 x 60 x 6	6.90

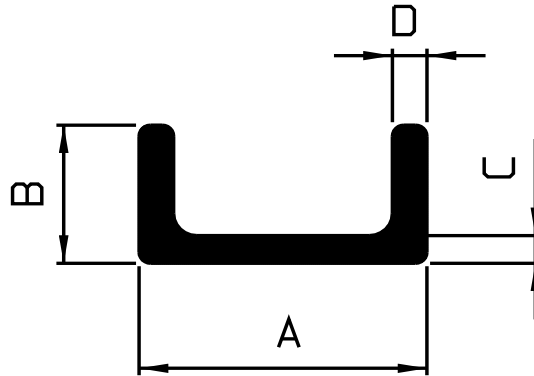
UNEQUAL LEG ANGLES / ANGOLARI



Dimension / Dimensione (mm)	Weight / Peso (kg/m)
90 x 60 x 8	9.00
95 x 40 x 5	5.20
100 x 50 x 6	6.90
100 x 50 x 8	9.10
100 x 50 x 10	11.10
100 x 65 x 7	8.80
100 x 65 x 8	10.00
100 x 65 x 9	11.20
100 x 65 x 11	13.60
100 x 75 x 8	10.80
100 x 75 x 9	11.90
120 x 80 x 8	12.20
120 x 80 x 10	15.20
130 x 65 x 8	12.00
130 x 65 x 10	14.80
130 x 90 x 12	20.00
150 x 75 x 10	17.10
150 x 100 x 10	19.10
150 x 100 x 12	22.80
200 x 100 x 12	27.60
200 x 100 x 13	29.80

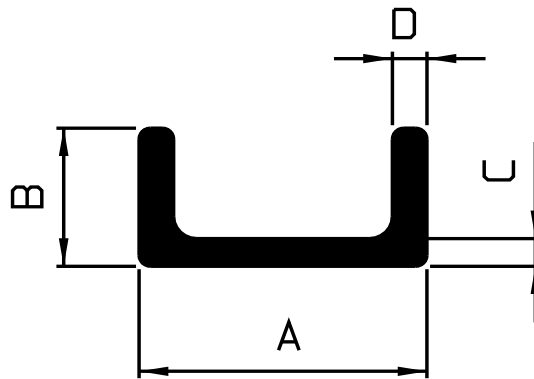
Note: Other sizes upon request can be supplied up to 400 mm

CHANNELS "UAP"



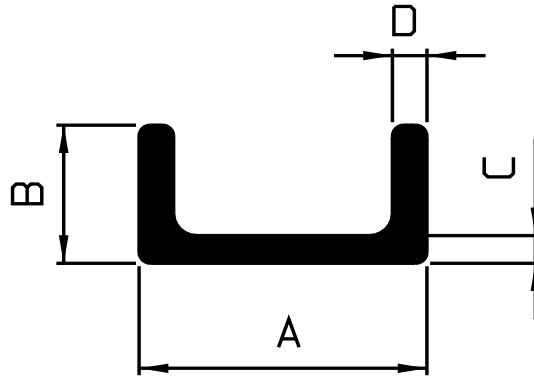
Dimension / Dimensione (mm)	Weight / Peso (kg/m)
20 x 10 x 3 x 3.5	0.90
30 x 15 x 3 x 3.5	1.50
30 x 15 x 4 x 4	1.70
30 x 33 x 5 x 7	4.30
40 x 20 x 3 x 3	1.80
40 x 20 x 4 x 4	2.30
40 x 35 x 5 x 7	5.10
50 x 25 x 3 x 3	2.30
50 x 25 x 4 x 4	3.00
50 x 25 x 5 x 6	3.90
50 x 30 x 3 x 3	2.50
50 x 38 x 5 x 7	5.70
60 x 30 x 4 x 4	3.50
60 x 30 x 5 x 5	4.40
60 x 30 x 6 x 6	5.20
60 x 40 x 4 x 4	4.20
65 x 42 x 5.5 x 7.5	7.20
80 x 40 x 5 x 5	6.00
80 x 40 x 6 x 6	7.10
80 x 40 x 8 x 8	9.20
80 x 45 x 6 x 6	7.60

CHANNELS "UAP"



Dimension / Dimensione (mm)	Weight / Peso (kg/m)
80 x 45 x 6 x 8	8.80
100 x 40 x 6 x 6	8.00
100 x 40 x 8 x 8	10.50
100 x 50 x 4 x 4	6.10
100 x 50 x 5 x 5	7.70
100 x 50 x 6 x 6	9.00
100 x 50 x 6 x 8.5	10.80
100 x 65 x 8 x 8	13.70
120 x 55 x 7 x 7	12.10
120 x 55 x 7 x 9	13.60
120 x 60 x 6 x 6	11.00
130 x 55 x 6 x 9	13.70
130 x 65 x 5 x 5	9.90
130 x 65 x 6 x 6	11.80
140 x 60 x 7 x 10	16.30
140 x 60 x 6 x 6	12.90
140 x 70 x 7 x 7	15.20
140 x 70 x 8 x 8	16.80
150 x 65 x 8 x 8	17.00
150 x 65 x 7.5 x 10.50	17.90
150 x 75 x 6 x 6	13.80
150 x 75 x 8 x 8	18.10

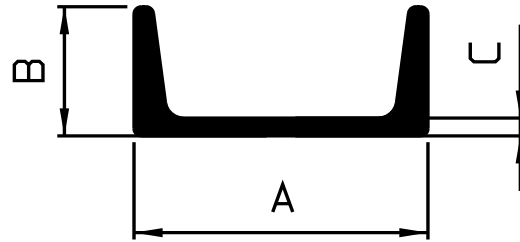
CHANNELS



Dimension / Dimensione (mm)	Weight / Peso (kg/m)
160 x 65 x 7.5 x 10.5	18.80
160 x 80 x 6 x 6	14.80
160 x 80 x 8 x 8	19.40
175 x 70 x 7.5 x 10.5	21.20
180 x 70 x 8 x 11	22.00
180 x 90 x 6 x 6	16.60
180 x 90 x 8 x 8	22.00
200 x 75 x 8.5 x 11.5	25.30
200 x 100 x 6 x 6	18.70
200 x 100 x 8 x 8	24.60
200 x 100 x 10 x 10	30.40
220 x 80 x 9 x 12.5	29.70
240 x 85 x 9.5 x 13	33,50
260 x 90 x 10 x 14	38.20
280 x 95 x 10 x 15	42.30
300 x 100 x 10 x 16	46.50

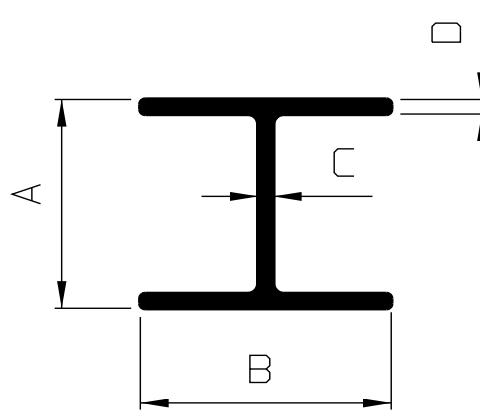
Note: Other sizes upon request can be supplied up to 400 mm

CHANNELS "UNP"



Dimension / Dimensione (mm)	Weight / Peso (kg/m)
20 x 10 x 3 x 3.5	0.85
30 x 15 x 3 x 3.5	1.40
30 x 15 x 4 x 4.5	1.75
40 x 20 x 3 x 3.5	1.80
40 x 20 x 4 x 4.5	2.30
40 x 35 x 5 x 7	4.80
50 x 25 x 3 x 3.5	2.30
50 x 25 x 5 x 6	3.90
50 x 38 x 5 x 7	5.60
60 x 30 x 5 x 5	4.40
60 x 30 x 6 x 6	5.10
65 x 42 x 5.5 x 7.5	7.10
80 x 45 x 6 x 8	8.65
100 x 50 x 6 x 8.5	10.60
120 x 55 x 7 x 9	13.40
140 x 60 x 7 x 10	16.20

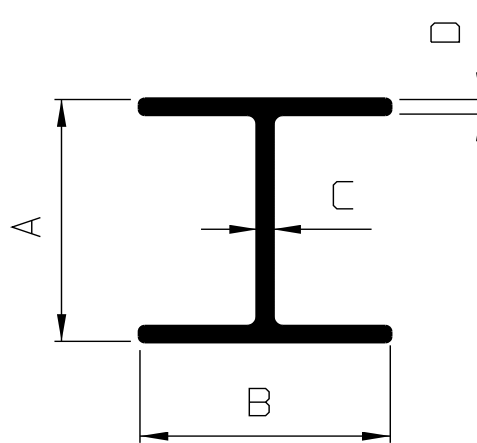
HEA BEAMS / TRAVI HEA



Dimension / Dimensione (mm)	Weight / Peso (kg/m)
96 x 100 x 5 x 8	17.00
114 x 120 x 5 x 8	20.20
133 x 140 x 5.5 x 8.5	25.10
152 x 160 x 6 x 9	31.00
171 x 180 x 6 x 9.5	36.20
190 x 200 x 6.5 x 10	42.30
210 x 220 x 7 x 10	48.60
230 x 240 x 7.5 x 12	58.50
250 x 260 x 7.5 x 12.5	63.60
270 x 280 x 8 x 13	72.90
290 x 300 x 8.5 x 13.5	80.40

Note: Other sizes upon request can be supplied up to 400 mm

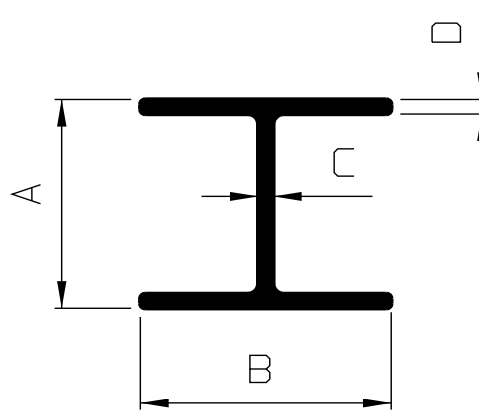
HEB BEAMS / TRAVI HEB



Dimension / Dimensione (mm)	Weight / Peso (kg/m)
100 x 100 x 6 x 10	20.80
120 x 120 x 6.5 x 11	27.20
140 x 140 x 7 x 12	34.40
160 x 160 x 8 x 13	43.40
180 x 180 x 8.5 x 14	52.20
200 x 200 x 9 x 15	62.50
220 x 220 x 9.5 x 16	71.50
240 x 240 x 10 x 17	83.20
260 x 260 x 10 x 17.5	93.00
280 x 280 x 10.5 x 18	103.00
300 x 300 x 11 x 19	117.00

Note: Other sizes upon request can be supplied up to 400 mm

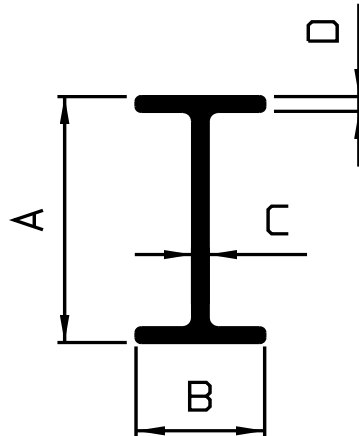
SPECIAL BEAMS / TRAVI SPECIALI



Dimension / Dimensione (mm)	Weight / Peso (kg/m)
80 x 80 x 8 x 8	14.30
100 x 100 x 6 x 8	16.60
100 x 100 x 8 x 8	18.20
120 x 120 x 10 x 12.5	31.60
140 x 140 x 9 x 12	35.20
150 x 150 x 8 x 10	31.90
200 x 200 x 8 x 12	49.00
250 x 250 x 9 x 14	71.10
300 x 300 x 10 x 16	97.00

Note: Other sizes upon request can be supplied up to 400 mm

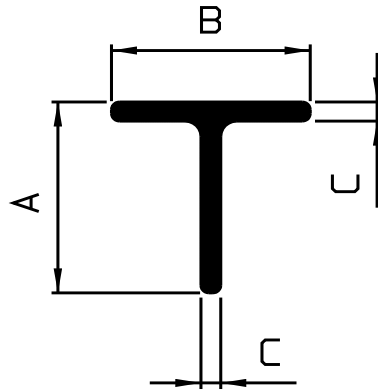
IPE BEAMS / TRAVI IPE



Dimension / Dimensione (mm)	Weight / Peso (kg/m)
80 x 46 x 3.8 x 5.2	5.90
100 x 55 x 4.1 x 5.7	8.00
120 x 64 x 4.4 x 6.3	10.60
140 x 73 x 4.7 x 6.9	13.10
160 x 82 x 5 x 7.4	16.10
180 x 91 x 5.3 x 8	19.10
200 x 100 x 5.6 x 8.5	22.8
220 x 110 x 5.9 x 9.2	26.70
240 x 120 x 6.2 x 9.8	31.30
270 x 135 x 6.6 x 10.2	36.70
300 x 150 x 7.1 x 10.7	43.0
330 x 160 x 7.5 x 11.5	50.10
360 x 170 x 8 x 12.7	58.10
400 x 180 x 8.6 x 13.5	67.60

Note: Other sizes upon request can be supplied up to 400 mm

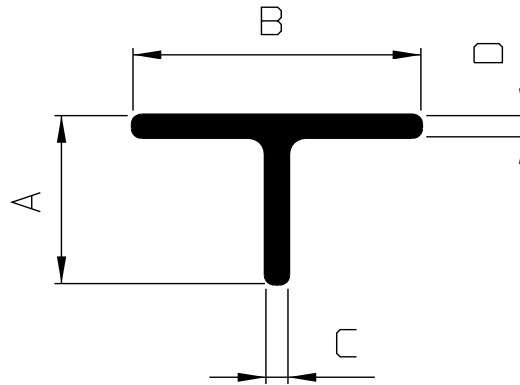
EQUAL LEG TEE / TEE A LATI UGUALI



Dimension / Dimensione (mm)	Weight / Peso (kg/m)
20 x 20 x 3	0.90
20 x 20 x 4	01:15
25 x 25 x 3	01:12
25 x 25 x 4	01:50
30 x 30 x 3	01:35
30 x 30 x 4	1.78
35 x 35 x 3	1.60
35 x 35 x 4	02:10
40 x 40 x 4	02:40
40 x 40 x 5	03:00
40 x 40 x 7	04:10
50 x 50 x 5	3.80
50 x 50 x 6	04:40
60 x 60 x 6	05:50
70 x 70 x 7	07:50
80 x 80 x 8	07:30
90 x 90 x 9	9.70
100 x 100 x 8	12:30
100 x 100 x 10	15.30
120 x 120 x 10	18.40
120 x 120 x 13	25.10
140 x 140 x 10	21.60
140 x 140 x 13	27.80
140 x 140 x 15	31.80

Note: Other sizes upon request can be supplied up to 400 mm

UNEQUAL LEG TEE / TEE



Dimension / Dimensione (mm)	Weight / Peso (kg/m)
20 x 40 x 4 x 4	1.80
25 x 50 x 5 x 5	2.80
30 x 60 x 5.5 x 5.5	3.65
35 x 70 x 6 x 6	4.65
40 x 60 x 4 x 4	3.20
40 x 80 x 7 x 7	6.20
50 x 100 x 8.5 x 8.5	9.00
60 x 120 x 10 x 10	12.80

Note: Other sizes upon request can be supplied up to 400 mm