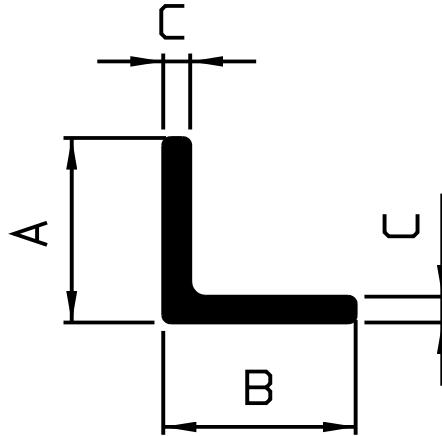


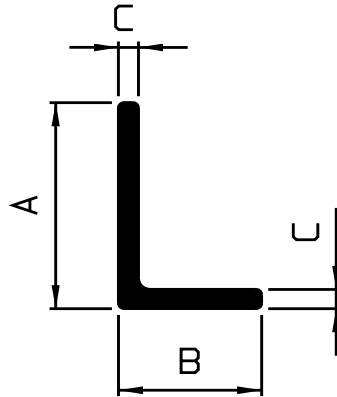
EQUAL LEG ANGLES



Designation	Depth	Width	Thickness	Weight	Area	
	in. A	in. B	in. C	lbs/ft	in.2	
5 x 5 x 1/4	5.000	5.000	.250	8.43	2.48	e + w
5 x 5 x 5/16	5.000	5.000	.312	10.30	3.03	e + w
5 x 5 x 3/8	5.000	5.000	.375	12.30	3.62	e + w
5 x 5 x 7/16	5.000	5.000	.437	14.30	4.21	e + w
5 x 5 x 1/2	5.000	5.000	.500	16.0	4.71	e + w
6 x 6 x 1/4	6.000	6.000	.250	10.20	3.00	w
6 x 6 x 3/8	6.000	6.000	.375	14.90	4.38	w
6 x 6 x 1/2	6.000	6.000	.500	19.60	5.76	w
8 x 8 x 3/8	8.000	8.000	.375	20.30	5.97	w
8 x 8 x 1/2	8.000	8.000	.500	26.4	7.77	w

Note: Other sizes upon request can be supplied up to 16"

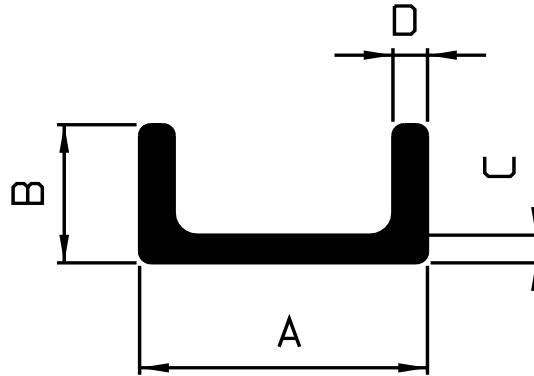
UNEQUAL LEG ANGLES



Designation	Depth	Width	Thickness	Weight	Area	
	in. A	in. B	in. C	lbs/ft	in.2	
4 x 3 x 1/4	4.000	3.000	.250	5.85	1.72	e + w
4 x 3 x 5/16	4.000	3.000	.312	7.02	2.09	e + w
4 x 3 x 3/8	4.000	3.000	.375	8.50	2.50	e + w
4 x 3 x 1/2	4.000	3.000	.500	11.10	3.26	e + w
4 x 3-1/2 x 1/4	4.000	3.500	.250	6.20	1.82	e + w
4 x 3-1/2 x 5/16	4.000	3.500	.312	7.70	2.26	e + w
4 x 3-1/2 x 3/8	4.000	3.500	.375	9.10	2.68	e + w
4 x 3-1/2 x 1/2	4.000	3.500	.500	11.90	3.50	e + w
5 x 3 x 1/4	5.000	3.000	.250	6.60	1.94	e + w
5 x 3 x 3/8	5.000	3.000	.375	9.80	2.88	e + w
5 x 3 x 1/2	5.000	3.000	.500	13.0	3.82	e + w
5 x 3-1/2 x 3/8	5.000	3.500	.375	10.40	3.06	e + w
6 x 2 x 1/4	6.000	2.000	.250	6.70	1.97	e + w
6 x 3 x 1/4	6.000	3.000	.250	7.45	2.19	e + w
6 x 3 x 3/8	6.000	3.000	.375	11.0	3.24	e + w
6 x 3-1/2 x 3/8	6.000	3.500	.375	11.6	3.41	e + w
6 x 4 x 1/4	6.000	4.000	.250	8.30	2.44	e + w
6 x 4 x 3/8	6.000	4.000	.375	12.3	3.62	e + w
6 x 4 x 1/2	6.000	4.000	.500	16.50	4.85	e + w
6 x 5 x 1/4	6.000	5.000	.250	9.30	2.74	w
6 x 5 x 3/8	6.000	5.000	.375	13.95	4.10	w
6 x 5 x 1/2	6.000	5.000	.500	17.9	5.26	w
8 x 4 x 3/8	8.000	4.000	.375	15.07	4.62	w
16 x 8 x 1/2	16.000	8.000	.500	40.71	11.97	w

Note: Other sizes upon request can be supplied up to 16"

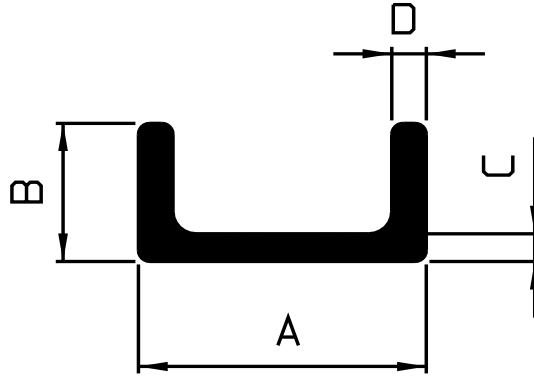
NON TAPERED CHANNELS



Designation	Depth	Flange	Web / Flange	Weight	Area	
	in. A	in. B	Thickness in. C / D		lbs/ft	in.2
1-1/2 x 3/4 x 1/8	1.500	.750	.125	1.20	0.35	e
2 x 1 x 1/8	2.000	1.000	.125	1.64	0.48	e
2 x 1 x 3/16	2.000	1.000	.187	1.92	0.56	e
2 x 1 x 1/4	2.000	1.000	.250	2.57	0.76	e
3 x 1-1/2 x 3/16	3.000	1.500	.187	3.63	1.07	e
3 x 1-1/2 x 1/4	3.000	1.500	.250	4.90	1.44	e
4 x 1-3/4 x 1/4	4.000	1.750	.250	6.05	1.78	e + w
4 x 2 x 1/4	4.000	2.000	.250	6.50	1.91	e + w
5 x 2-1/2 x 1/4	5.000	2.500	.250	8.33	2.45	e + w
6 x 2-1/2 x 1/4	6.000	2.500	.250	7.16	2.11	e + w
6 x 2-1/2 x 3/8	6.000	2.500	.375	13.30	3.91	e + w
6 x 2-1/2 x 1/2	6.000	2.500	.500	17.50	5.15	e + w
6 x 3 x 1/4	6.000	3.000	.250	10.0	2.94	w
6 x 3 x 3/8	6.000	3.000	.375	14.50	4.26	e + w
8 x 4 x 1/4	8.000	4.000	.250	13.7	4.03	w
8 x 4 x 3/8	8.000	4.000	.375	19.70	5.79	w
12 x 6 x 3/8	12.000	6.000	.375	22.60	6.65	w
12 x 6 x 1/2	12.000	6.000	.500	30.25	8.89	w

Note: Other sizes upon request can be supplied up to 16"

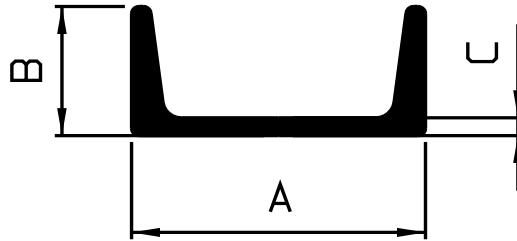
NON TAPERED "MISC" CHANNELS



Designation	Depth	Flange	Web	Flange	Weight	Area	
	in. A	in. B	Thickness in. C	Thickness in. D		lbs/ft	in.2
7 x 2.090 x .210 x .366	7.000	2.090	.210	.366	9.85	2.90	w
7 x 2.194 x .314 x .366	7.000	2.194	.314	.366	12.60	3.70	w
7 x 2.299 x .419 x .366	7.000	2.299	.419	.366	14.90	4.38	w
8 x 2.260 x .220 x .390	8.000	2.260	.220	.390	11.68	3.44	w
8 x 2.343 x .303 x .390	8.000	2.343	.303	.390	13.98	4.11	w
8 x 2.527 x .487 x .390	8.000	2.527	.487	.390	19.08	5.61	w
9 x 2.433 x .233 x .413	9.000	2.433	.233	.413	13.60	4.00	w
9 x 2.485 x .285 x .413	9.000	2.485	.285	.413	15.20	4.47	w
9 x 2.648 x .448 x .413	9.000	2.648	.448	.413	20.29	5.97	w
10 x 2.600 x .240 x .436	10.000	2.600	.240	.436	15.42	4.54	w
10 x 2.739 x .379 x .436	10.000	2.739	.379	.436	20.23	5.95	w
10 x 2.886 x .526 x .436	10.000	2.886	.526	.436	25.34	7.45	w
12 x 2.942 x .282 x .501	12.000	2.942	.282	.501	21.00	6.18	w
12 x 3.047 x .387 x .501	12.000	3.047	.387	.501	25.40	7.47	w

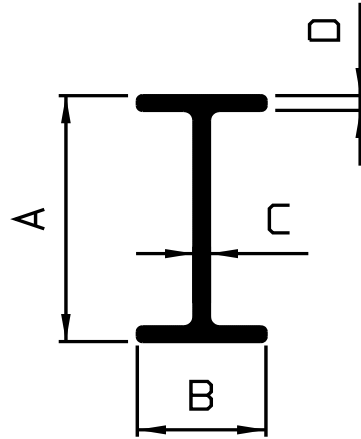
Note: Other sizes upon request can be supplied up to 16"

TAPERED CHANNELS



Designation	Depth in. A	Flange in. B	Web Thickness in. C	Weight lbs/ft	Area in.2
2 x 1 x 3/16	2.000	1.000	.187	01:25	.37
2 x 1 x .300	2.000	1.000	.300	03:15	.92
3 x 1-3/8 x 3/16	3.000	1.375	.187	04:19	01:23
3 x 1-3/8 x 1/4	3.000	1.375	.250	04:38	01:28
3 x 1.410 x .170	3.000	1.410	.170	04:10	01:20
3 x 1.498 x .258	3.000	1.498	.258	05:00	01:47
3 x 1-1/2 x 3/16	3.000	1.500	.187	04:30	01:26
3 x 1-1/2 x 1/4	3.000	1.500	.250	4.75	01:39
3 x 1.596 x .356	3.000	1.596	.356	06:00	1.76
3 x 2 x 1/4	3.000	2.000	.250	07:10	02:08
4 x 1.584 x .184	4.000	1.580	.180	5.40	01:59
4 x 1.647 x .247	4.000	1.647	.247	6.25	1.84
4 x 1.720 x .321	4.000	1.721	.321	07:25	02:13
4 x 1-3/4 x 1/4	4.000	1.750	.250	6.70	1.96
4 x 1-3/4 x .290	4.000	1.750	.290	9.95	2.91
5 x 1.750 x .190	5.000	1.750	.190	6.70	1.97
5 x 1-7/8 x 3/8	5.000	1.875	.375	10:40	03:04
5 x 1.885 x .325	5.000	1.885	.325	9.0	2.64
6 x 1.92 x .200	6.000	1.920	.200	08:20	02:40
6 x 2.034 x .314	6.000	2.034	.314	10:05	03:09
6 x 2.157 x .437	6.000	2.157	.437	13:00	3.83

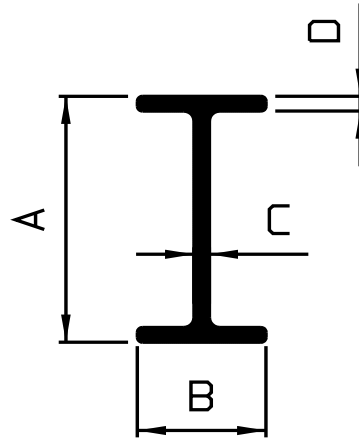
"I" BEAMS



Designation	Depth in. A	Flange in. B	Web Thickness in. C	Flange Thickness in. D	Weight lbs/ft	Area in.2	
1-1/2 x 1 x 1/4 x 1/4	1.500	1.000	.250	.250	04:00	01:18	e
2 x 1-1/4 x 1/4 x 1/4	2.000	1.375	.250	.250	5.30	1.56	e
3 x 2-3/8 x .280	3.000	2.375	.250	.250	6.60	1.94	e
3 x 3 x .200 x .250	3.000	3.000	.200	.250	7.23	2.13	e
4 x 2-3/4 x 1/4 x 1/4	4.000	2.750	.250	.250	8.44	2.48	e + w
4 x 4 x 1/4 x 5/16	4.000	4.000	.250	.313	11.90	3.50	e + w
6 x 4 x 1/4	6.000	4.000	.250	.250	13.60	4.00	w
6 x 4 x .472 x .472	6.000	4.000	.472	.472	21.0	6.18	w
6 x 6 x 1/4 x 3/8	6.000	6.000	.250	.375	20.22	5.95	w

Note: Other sizes upon request can be supplied up to 16"

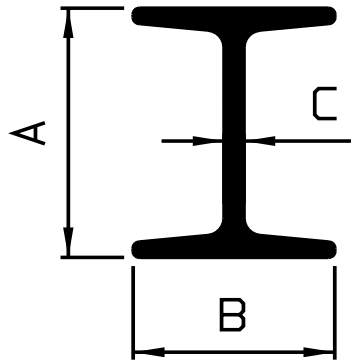
STANDARD BEAMS



Designation "Nominal depth"	x	Weight lbs/ft	Depth in. A	Flange in. B	Web Thickness in. C	Flange Thickness in. D	Area in.2	
							e + w	w
S3	x	7.50	3.000	2.509	.349	.260	2.21	e + w
S4	x	7.70	4.000	2.663	.193	.293	2.26	e + w
		9.50	4.000	2.796	.326	.293	2.79	e + w
S5	x	10.0	5.000	3.004	.214	.326	2.94	w
S6	x	12.50	6.000	3.332	.232	.359	3.67	w
		17.30	6.000	3.565	.465	.359	5.07	w
S8	x	18.40	8.000	4.001	.271	.425	5.41	w
		23.0	8.000	4.171	.441	.425	6.77	w
S10	x	25.4	10.000	4.661	.311	.491	7.46	w

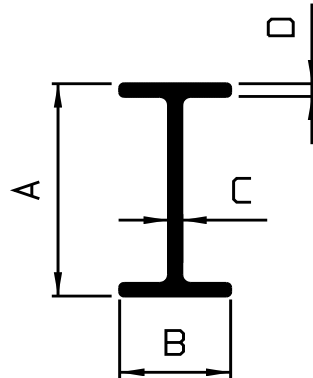
Note: Other sizes upon request can be supplied up to 16"

TAPERED BEAMS



Designation	Depth in. A	Flange in. B	Web Thickness in. C	Weight lbs/ft	Area in.2
3 x 2.331 x .169	3.000	2.331	.169	04:00	01:18
3 x 2-3/8 x 1/4	3.000	2.375	.250	6.60	1.94
3 x 2-3/8 x .280	3.000	2.375	.280	6.52	1.92
4 x 2.661 x .193	4.000	2.661	.193	7.00	2.06
4 x 2-3/4 x 1/4	4.000	2.750	.250	08:44	2,48
5 x 3 x .326	5.000	3.000	.326	11.40	3.35
6 x 3.330 x .233	6.000	3.330	.233	11.20	3.29
6 x 3.332 x .359	6.000	3.332	.359	14.90	4.38
6 x 3.559 x .465	6.000	3.559	.465	17.70	5.21

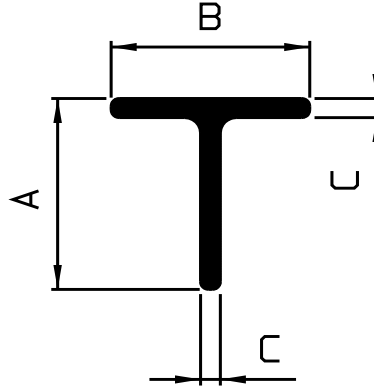
WIDE FLANGE BEAMS



Designation "Nominal depth"	Weight lbs/ft	Depth in. A	Flange in. B	Web Thickness in. C	Flange Thickness in. D	Area in.2		
W4	x	13.0	4.160	4.060	.280	.345	3.83	w
		16.0	5.010	5.000	.240	.360	4.68	w
W5	x	18.90	5.000	5.003	.316	.416	5.55	w
		19.0	5.150	5.030	.270	.430	5.56	w
		9.0	5.900	3.940	.170	.215	2.68	w
W6	x	12.0	6.030	4.000	.230	.280	3.55	w
		15.0	5.990	5.990	.230	.260	4.43	w
		16.0	6.280	4.030	.260	.405	4.74	w
		20.0	6.200	6.020	.260	.365	5.87	e + w
		25.0	5.000	3.004	.214	.326	7.34	w
		10.0	7.89	3.940	.170	.205	2.96	w
W8	x	13.0	7.99	4.000	.230	.255	3.84	w
		15.0	8.110	4.015	.245	.315	4.44	w
		18.0	8.14	5.250	.230	.330	5.26	w
		21.0	8.28	5.270	.250	.400	6.16	w
		24.0	7.930	6.495	.245	.400	7.08	w
		31.0	8.000	7.995	.285	.435	9.13	w
		35.0	8.120	8.020	.310	.495	10.30	w
		40.0	8.250	8.070	.360	.560	11.70	w
		48.0	8.500	8.110	.400	.685	14.10	w
		58.0	8.750	8.220	.510	.810	17.10	w
		67	9.000	8.280	.570	.935	19.70	w
W10	x	12.0	9.870	3.960	.190	.210	3.54	w
		15.0	9.990	4.000	.230	.270	4.41	w
		17.0	10.110	4.010	.240	.330	4.99	w
		19.0	10.240	4.020	.250	.395	5.62	w
		22.0	10.170	5.750	.240	.360	6.49	w
		26.0	10.330	5.770	.300	.440	7.61	w
		30.0	10.470	5.810	.300	.510	8.84	w
		33.0	9.730	7.960	.290	.435	9.71	w

Note: Other sizes upon request can be supplied up to 16"

TEES



Designation	Depth	Flange	Web / Flange	Weight	Area	
	in. A	in. B	Thickness in. C		in.2	
1 x 1 x 1/8	1.000	1.000	.125	0.85	0.25	r
1 x 1 x 1/4	1.000	1.000	.250	1.60	0.47	r
1-1/4 x 1-1/4 x 1/8	1.250	1.250	.125	1.09	0.32	r
1-1/2 x 1-1/2 x 3/16	1.500	1.500	.187	1.90	0.56	e + w
1-1/2 x 1-1/2 x 1/4	1.500	1.500	.250	2.50	0.74	e + w
1-3/4 x 1-3/4 x 3/16	1.750	1.750	.187	2.16	0.64	e + w
2 x 2 x 3/16	2.000	2.000	.187	2.44	0.72	e + w
2 x 2 x 1/4	2.000	2.000	.250	3.30	0.97	e + w
2-1/2 x 2-1/2 x 1/4	2.500	2.500	.250	4.20	1.24	e + w
3 x 3 x 3/16	3.000	3.000	.187	4.00	1.18	e + w
3 x 3 x 1/4	3.000	3.000	.250	5.0	1.47	e + w
3 x 3 x 3/8	3.000	3.000	.375	7.30	2.15	e + w
4 x 4 x 3/16	4.000	4.000	.187	5.30	1.60	e + w
4 x 4 x 1/4	4.000	4.000	.250	6.70	1.97	e + w
4 x 4 x 3/8	4.000	4.000	.375	9.90	2.91	e + w
5 x 5 x 3/16	5.000	5.000	.187	6.70	1.97	w
5 x 5 x 1/4	5.000	5.000	.250	8.40	2.47	w
5 x 5 x 3/8	5.000	5.000	.375	12.40	3.65	w
5 x 5 x 1/2	5.000	5.000	.500	16.30	4.79	w
6 x 6 x 1/4	6.000	6.000	.250	10.20	3.00	w
6 x 6 x 3/8	6.000	6.000	.375	15.00	4.41	w
6 x 6 x 1/2	6.000	6.000	.500	19.70	5.79	w
7 x 7 x 1/4	7.000	7.000	.250	12.0	3.53	w
7 x 7 x 3/8	7.000	7.000	.375	17.5	5.15	w
7 x 7 x 1/2	7.000	7.000	.500	23.10	6.79	w

Note: Other sizes upon request can be supplied up to 16"